





Energy Storage System (ESS) for residential applications -

STORION SERIES SMILE5



✓ Key Features

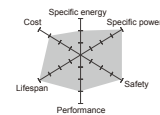
- S**elf sufficient
- M**odular battery
- I**ntelligent control
- L**ong lifespan
- E**ssential load protected
- 5** kW system

-  **Fast response**
-  **Light load threshold**
-  **UPS ability**
-  **24/7 Monitoring**



Real-time Monitoring

All systems can be monitored by **Web and iOS/Android APP.**



Safest Chemistry

AlphaESS uses Li-phosphate for its excellent safety and long lifespan.



product
design award 2018



reddot design award 2018



About AlphaESS

As one of the earliest pioneers in energy storage market with lithium iron technology, AlphaESS has a vision to pave the path for everyone in the world to enjoy clean energy one day.

AlphaESS is a multinational company that currently has more than 10'000 residential and commercial systems running in 30 countries globally and its products are accredited by IEC, TÜV, CEC and many other international standards.

All AlphaESS energy systems are integrated with smart energy management solutions. AlphaESS is committed to revolutionize the future energy network through our patented German technologies.

Distribuido en Puerto Rico y el Caribe por:



SUNAIR
POWER / PHOTOVOLTAIC / H-VAC
SOMOS MUCHO MAS QUE FOTOVOLTAICO

web. www.sunairpv.com email: ventas@sunairpv.com
Ave. Roberto Clemente D-5 Villa Carolina, PR 00985

System Specification

Model	Storion-SMILE5		
Nominal Output Power	4600 W		
Capacity Range	5.7 / 11.5 / 17.2 / ... / 34.4 kWh (96% DoD)		
Usable Capacity Range	5.5 / 11.0 / 16.5 / / 33.0 kWh		
Battery Chemistry	LFP (LiFePO4)		
IP Protection	IP21 / IP65		
Warranty	10 Year Battery Warranty		

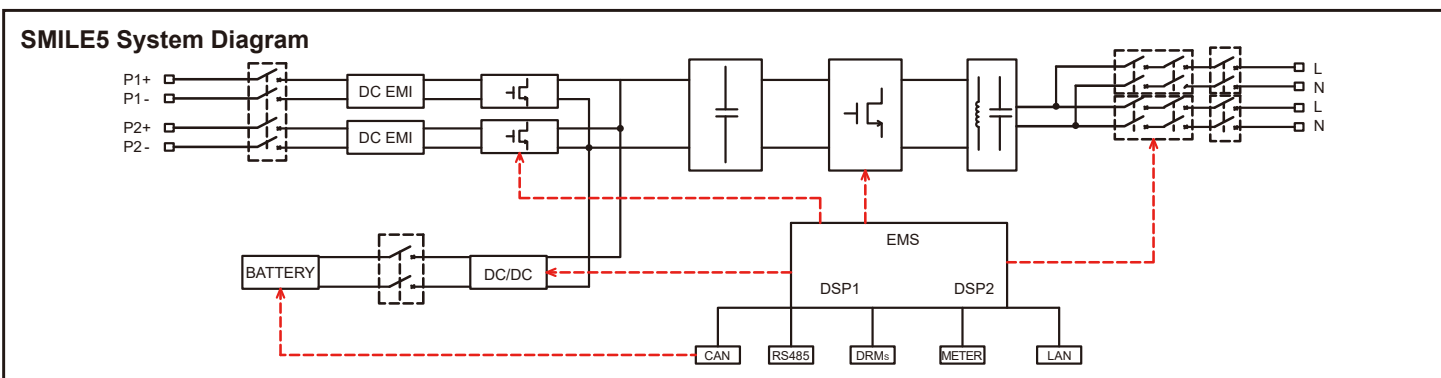
Inverter Technical Specification

Model	SMILE5-INV	Phase	Single-Phase
Max. PV Input Current	2 x 12 A	Backup	UPS
Max. PV Input Voltage	580 Vdc	Display	LCD
MPPT Number	2	Communication	Ethernet
MPPT Voltage Range	125 V ~ 550 V	Start Up DC Voltage	125 V
Max. Short-circuit Current	2 x 15 A	Humidity	15% ~ 85% (No Condensing)
Max. Charge/Discharge Current	100 A	Dimensions (W x D x H)	610 x 236 x 615 mm
Max. Charge/Discharge Power	5000 W	Weight	58 kg
Rated Voltage	230V	Grid Regulation	VDE-AR-N 4105, VDE 0126-1-1, AS 4777.2, CEI 0-21, G59/3
Grid Voltage Range	180 Vac ~ 270 Vac	Safety	IEC 62109-1&2, IEC 62477-1, IEC 62040.1.1, IEC 62116
Rated Frequency	50/60 Hz	EMC	EN 61000-6-1, EN 61000-6-2, EN 61000-6-3, EN 61000-6-4

Battery Technical Specification

Module Model	SMILE5-BAT		
Module Capacity	5.7 kWh		
Module Nominal Voltage	51.2 V		
Operating Temperature Range	-10 °C ~ 50 °C*, 0 °C ~ 40 °C (0.5C)		
Max. Modules in Parallel	6		
Max. Charge/Discharge Current	56 A (0.5C)		
Cycle Life	10 000**		

* When the temperature is below 0 °C or above 40 °C, the performance will be limited.
 ** Under specific test conditions



Headquarter: Alpha ESS Co., Ltd.

+86 (0) 513 806 068 91

info@alpha-ess.com

www.alpha-ess.com

JiuHua Road 888, Nantong High-Tech Industrial Development Zone, Nantong City, 226300

Germany: Alpha ESS Europe GmbH

+49 (0) 6103 / 459 160-1

europe@alpha-ess.de

www.alpha-ess.de

Paul-Ehrlich-Straße 1a, 63225 Langen, Hessen

Australia: Alpha ESS Australia Pty. Ltd.

+61 (0) 402 500 520 (Sales)

+61 1300 968 933 (Technical Support)

australia@alpha-ess.com

www.alpha-ess.com.au

Suite 2, Level 1, 530 Botany Road, Alexandria, NSW, 2015

Italy: Alpha ESS Italy S.r.l.

+39 (0) 599 239 50

info@alpha-ess.it

www.alpha-ess.it

Via Loda, 17-41013 Castelfranco Emilia(MO)